



Commercial Products & Services Agreement Pursuant to Bid Solicitation / Request for Proposal
B/U 3 Bucket Drive Gearbox Replacement

Date: 4/28/2026

NOTICE TO APA BIDDERS / OFFERORS

From: Alabama Port Authority

Attn: Terell Taylor / Danny Turner
P.O. Box 1588
Mobile, AL 36633

In Support of: – McDuffie Coal Terminal Facility, Mobile, Al 36603

Subject: SPECIFICATIONS AND CONTRACT DOCUMENTS FOR:

B/U 3 Bucket Drive Gearbox Replacement

Douglas C. Otto, Jr., P.E., Director & CEO

Kay Ivey, Governor of Alabama

ISSUED BY

Procurement Department



Commercial Products & Services Agreement Pursuant to Bid Solicitation / Request for Proposal
B/U 3 Bucket Drive Gearbox Replacement

This is an electronic combined synopsis/solicitation for commercial items / equipment required in support of the Alabama Port Authority (APA), Mobile Alabama. This combined synopsis announcement constitutes the only solicitation. Proposals are being requested and a written solicitation will not be issued. Solicitation / Project number B/U 3 Bucket Drive Gearbox Replacement is issued as a Request for Proposal (RFP). This solicitation document and its' legal terms, conditions, provisions and clauses constitute the bases for the resultant contract which shall serve as the governing and controlling document.

Instructions to Offerors—Commercial Products and Commercial Services

(a) *Submission of offers.* Submit signed and dated offers to the office specified in this solicitation at or before the exact time specified in this solicitation. Offers may be submitted on letterhead stationery, or as otherwise specified in the solicitation. As a minimum, offers must show—

- (1) The solicitation number;
- (2) The time specified in the solicitation for receipt of offers;
- (3) The name, address, and telephone number of the offeror;
- (4) A technical description of the items being offered in sufficient detail to evaluate compliance with the requirements in the solicitation. This may include product literature, or other documents, if necessary;
- (5) Terms of any express warranty;
- (6) Price and any discount terms;
- (7) "Remit to" address, if different than mailing address;
- (8) Acknowledgment of Solicitation Amendments;
- (9) Past performance information, when included as an evaluation factor, to include recent and relevant contracts for the same or similar items and other references (including contract numbers, points of contact with telephone numbers and other relevant information); and
- (10) A statement specifying the extent of agreement with all terms, conditions, and provisions included in the solicitation. Offers that reject the terms and conditions of the solicitation may be excluded from consideration.

(b) *Period for acceptance of offers.* The offeror agrees to hold the prices in its offer firm for 30 calendar days from the date specified for receipt of offers, unless another time period is specified in an addendum to the solicitation.



Commercial Products & Services Agreement Pursuant to Bid Solicitation / Request for Proposal
B/U 3 Bucket Drive Gearbox Replacement

(c) *Product samples.* When required by the solicitation, product samples shall be submitted at or prior to the time specified for receipt of offers. Unless otherwise specified in this solicitation, these samples shall be submitted at no expense to the APA, and returned at the sender's request and expense, unless they are destroyed during pre-award testing.

(d) *Multiple offers.* Offerors, along with submission of their base offer, are authorized to submit multiple offers that include alternative line items (provided that the proposed alternative line items are consistent with alternative commercial products or commercial services that satisfy the APA general end use goals and requirements of this solicitation. The APA recognizes that the line items established in this solicitation may not necessarily conform to the Offeror's standard practices, and failure to correct these issues can result in difficulties in acceptance of deliverables and processing payments. Therefore, the Offeror is invited to propose alternative line items for which bids, proposals, or quotes are requested in this solicitation to ensure that the resulting contract is economically and administratively advantageous to both the APA and the Offeror. The Offeror may submit one or more additional proposals with alternative line items, provided that alternative line items are consistent with the base requirements of the solicitation. However, acceptance of an alternative proposal is a unilateral decision made solely at the discretion of the APA. Offers that do not comply with at least the base line-item requirements specified in this solicitation may be determined to be nonresponsive or unacceptable.

Each offer submitted will be evaluated separately.

(e) Late submissions, modifications, revisions, and withdrawals of offers.

(1) Offerors are responsible for submitting offers, and any modifications, revisions, or withdrawals, so as to reach the APA's designated electronic point of entry (POE) in the solicitation by the time specified in the solicitation. If no time is specified in the solicitation, the time for receipt is 2:00 p.m., local time, for the designated POE on the date that offers or revisions are due.

(2) (i) Any offer, modification, revision, or withdrawal of an offer received at the POE designated in the solicitation after the exact time specified for receipt of offers is "late" and will not be considered unless it is received before award is made, the Contracting Officer determines that accepting the late offer would not unduly delay the acquisition; and-

(A) If it was transmitted through an electronic commerce method authorized by the solicitation, it was received at the initial point of entry not later than 5:00 p.m. one working day prior to the date specified for receipt of offers; or

(B) There is acceptable evidence to establish that it was received at the APA POE designated for receipt of offers and was under the APA's control prior to the time set for receipt of offers; or

(C) If this solicitation is a request for proposals, it was the only proposal received.



Commercial Products & Services Agreement Pursuant to Bid Solicitation / Request for Proposal
B/U 3 Bucket Drive Gearbox Replacement

(ii) However, a late modification of an otherwise successful offer, that makes its terms more favorable to the APA, will be considered at any time it is received and may be accepted.

(3) Acceptable evidence to establish the time of receipt at the APA installation includes the time/date stamp of that installation on the offer wrapper, other documentary evidence of receipt maintained by the installation, or oral testimony or statements of APA personnel.

(4) If an emergency or unanticipated event interrupts normal APA processes so that offers cannot be received at the APA office designated for receipt of offers by the exact time specified in the solicitation, and urgent APA requirements preclude amendment of the solicitation or other notice of an extension of the closing date, the time specified for receipt of offers will be deemed to be extended to the same time of day specified in the solicitation on the first work day on which normal APA processes resume.

(5) Offers may be withdrawn by written notice received at any time before the exact time set for receipt of offers. Oral offers in response to oral solicitations may be withdrawn orally. If the solicitation authorizes facsimile offers, offers may be withdrawn via facsimile received at any time before the exact time set for receipt of offers, subject to the conditions specified in the solicitation concerning facsimile offers. An offer may be withdrawn in person by an offeror or its authorized representative if, before the exact time set for receipt of offers, the identity of the person requesting withdrawal is established and the person signs a receipt for the offer.

(f) *Contract award (not applicable to Invitation for Bids)*. The APA intends to evaluate offers and award a contract without discussions with offerors. Therefore, the offeror's initial offer should contain the offeror's best terms from a price and technical standpoint. However, the APA reserves the right to conduct discussions if later determined by the APA to be necessary. The APA may reject any or all offers if such action is in the public interest; accept other than the lowest offer; and waive informalities and minor irregularities in offers received.

(g) *Multiple awards*. The APA may accept any item or group of items of an offer, unless the offeror qualifies the offer by specific limitations. Unless otherwise provided in the Schedule, offers may not be submitted for quantities less than those specified. The APA reserves the right to make an award on any item for a quantity less than the quantity offered, at the unit prices offered, unless the offeror specifies otherwise in the offer.

(h) [Reserved]

(i) *Debriefing*. If a post-award debriefing is given to requesting offerors, the APA shall disclose the following information, if applicable:

(1) The APA's evaluation of the significant weak or deficient factors in the debriefed offeror's offer.



Commercial Products & Services Agreement Pursuant to Bid Solicitation / Request for Proposal
B/U 3 Bucket Drive Gearbox Replacement

- (2) The overall evaluated cost or price and summary of the rationale for award, and past performance information on the debriefed offeror.
- (3) For acquisitions of commercial products, the make and model of the product to be delivered by the successful offeror.
- (4) Reasonable responses to relevant questions posed by the debriefed offeror as to whether procedures set forth in the solicitation were followed by the APA.

(End of provision)

Evaluation and Contract Award - Commercial Products and Commercial Services.

(a) The APA will award a contract resulting from this solicitation to the responsible offeror whose written technical and pricing proposal offer conforming to the solicitation will be most advantageous to the Alabama Port Authority, price and other factors considered. Offerors are requested to submit a proposal utilizing their typical standard competitive proposal format, documenting their scope specific technical design capabilities, manufacturing expertise, and past performance track record on similar project requirements of this type and condition.

The following factors shall be used to evaluate offers:

Technical conformance to specifications, Past performance, delivery schedule and price.

Technical, past performance, and delivery schedule when combined, are equal in importance in terms of the technical selection criteria.

(b) *Options.* The APA will evaluate offers for award purposes by adding the total price for all options to the total price for the basic requirement. The APA may determine that an offer is unacceptable if the option prices are significantly unbalanced. Evaluation of options shall not obligate the APA to exercise the option(s).

(c) A written notice of award or acceptance of an offer, mailed or otherwise furnished to the successful offeror within the time for acceptance specified in the offer, shall result in a binding contract without further action by either party. Before the offer's specified expiration time, the APA may accept an offer (or part of an offer), whether or not there are negotiations after its receipt, unless a written notice of withdrawal is received before award.

(d) The contract type will be a Firm Fixed Price contract award. All responsible sources may submit a proposal which shall be considered by the Alabama Port Authority.

(e) The list of items and quantities can be found at "Exhibit "A", and the Contract Award Pricing Schedule.



Commercial Products & Services Agreement Pursuant to Bid Solicitation / Request for Proposal
B/U 3 Bucket Drive Gearbox Replacement

(f) Unless otherwise stated, only the items requested in this solicitation will be considered for award.

(End of provision)

SEE EXHIBIT A - [SCHEDULE OF SUPPLIES & SPECIFICATIONS, PRICE SCHEDULES, AND OTHER IMPORTANT ITEMS]

SEE EXHIBIT B - ALABAMA PORT AUTHORITY SPENDING AND TRAVEL POLICY RESOLUTION # 2024-69.

SEE EXHIBIT C - DRAWINGS, SPECIFICATIONS, OR SCHEMATICS

Closing date and time for receipt of offers is **05/29/2026 at 2:00 PM Central Time**. Anticipated award date is on or about **06/09/2026**. E-mail your proposal to: procurementandcontracting@alports.com

Please indicate “B/U 3 Bucket Drive Gearbox Replacement”,
in the subject line.



Commercial Products & Services Agreement Pursuant to Bid Solicitation / Request for Proposal
B/U 3 Bucket Drive Gearbox Replacement

This Commercial Products & Services Agreement between (“You”), as an independent contractor, and the Alabama Port Authority provides for the performance of specified services in accordance with the terms outlined below, with the Standard General Terms and Conditions that follow, and with the Alabama Port Authority’s Commercial Products and Services Master Agreement included herewith (together with exhibits, schedules and specifications attached thereto, the “Agreement”).

Description of Service: – B/U 3 Bucket Drive Gearbox Replacement

Service Performance Dates: Reference Exhibit “A”.

Fee: Reference Exhibit “A”

Check One: You are solely responsible for any costs and expenses that you incur in performing the services.
 You will be reimbursed for reasonable transportation and subsistence expenses.
 You will be reimbursed % of fee for expenses.

Payment Terms Due Upon Receipt Net 7 Net 10 Net 30 Net 45

Payment Milestones: Reference Exhibit “A”- Progress Billing Milestones”

Please signify your acceptance of the terms and conditions of this Agreement by signing below as indicated:

Approved By:

Accepted By:

Douglas C. Otto, Jr., P.E. Date
Director & C.E.O.

Person Name Date

As: _____
Corporation Representative



Commercial Products & Services Agreement Pursuant to Bid Solicitation / Request for Proposal
B/U 3 Bucket Drive Gearbox Replacement

Standard General Terms and Conditions

These Standard General Terms and Conditions are incorporated into and are a material part of the Commercial Products & Services Agreement (the "Agreement") between You and the Alabama Port Authority ("APA").

1. The APA's sole obligation to You is the fee listed on this Agreement, and unless otherwise provided for in the Agreement, that fee is in full payment for your services, all necessary licenses and other governmental approvals, all equipment all expenses and costs, including transportation and subsistence expenses, needed for the performance of your services. You must obtain the APA's prior written consent before performing or incurring any additional services or expenses, or the APA shall have no obligation to pay for unapproved additional services or expenses. Moreover, if at any time prior to the APA's release of funds in payment of this fee, the APA discovers that You are indebted to any department of the APA, then You authorize the APA to offset the amount of funds owed to You for services performed under this Agreement by the total amount You owe the APA.
2. In the absence of some other written Agreement, reasonable transportation, and subsistence expenses, when authorized and not required to be included in your fee, are reimbursed in accordance with the APA's current travel and expense reimbursement policies. Vehicle mileage is reimbursed at the State of Alabama rate in effect at the time the miles were traveled, and airfare reimbursements shall not exceed the rate for non-refundable, coach or economy tickets. Original receipts for your expenses must accompany your expense request. If original expense receipts are not submitted, the APA reserves the right to report the sum of your expenses as income on IRS Form 1099 or other applicable form that is issued to you.
3. You are solely responsible for the timely payment of all federal, state, and local taxes or contributions with respect to your performance of this Agreement. However, The Alabama Port Authority will utilize its sales tax exemption status on this project. Accordingly, all pertinent information, documents, and forms necessary to process the exemption will be forwarded to the service provider during the contract award process.
4. RESERVED
5. You are an independent contractor and nothing in this Agreement shall be deemed to create any partnership, joint venture, association, or syndicate between you or APA; or to confer upon you any express or implied right or authority to enter into any Agreement, express or implied, or to incur



Commercial Products & Services Agreement Pursuant to Bid Solicitation / Request for Proposal
B/U 3 Bucket Drive Gearbox Replacement

any obligation on behalf of the APA. You are solely responsible for your acts and for the acts of your agents, employees, and subcontractors, if any, during the performance of this Agreement.

6. RESERVED

7. By accepting payments agreed to in this Agreement, You certify that to their actual knowledge no APA employee or official, and no family members of an APA employee or official, will receive a benefit from these payments, except as been previously disclosed, in writing, to the APA.

8. The laws of the State of Alabama shall govern the construction of this Agreement, without regard to conflicts of laws principles. Any claim against APA arising from this Agreement shall be filed with the Alabama State Board of Adjustment.

9. This Agreement constitutes the entire agreement of the parties with respect to its subject matter and all prior understandings and agreements between the parties are merged into this Agreement. This Agreement may not be amended or modified except by a writing signed by all parties.

10. You agree to perform your services consistent with applicable industry standards and in accordance with the terms and conditions set forth in this Agreement.

11. RESERVED

12. NOTE: If there are any consistencies between the Standard General Terms and Conditions and the Commercial Products & Services Agreement Terms stated within this Request for Proposal, then the Commercial Products & Services Agreement Terms shall control.



Commercial Products & Services Agreement Pursuant to Bid Solicitation / Request for Proposal
B/U 3 Bucket Drive Gearbox Replacement

Commercial Products & Services Agreement

This Commercial Products & Services Agreement (“Agreement”), dated as of [Date Signed by APA Director / CEO] (the “Effective Date”), is entered into by and between the Alabama Port Authority, an agency of the State of Alabama, with offices located at 250 S. Water Street, Mobile, Alabama 36602 (“APA”) and [CONTRACTOR NAME:] _____, a [JURISDICTION OF ORGANIZATION:] _____, [TYPE OF ORGANIZATION:] _____, with offices located at [ADDRESS:] _____, (“Contractor”) (APA and Contractor are each sometimes referred to as a “Party” and are sometimes collectively referred to as the “Parties”).

Contractor has the capability and capacity to provide certain products and/or services, **See Exhibit A- Statement of Work**; and APA desires to retain Contractor to provide the said products and/or services under the terms and conditions hereinafter set forth, and Contractor is willing to provide such products and/or perform such services.

In consideration of the mutual covenants and agreements hereinafter set forth and for other good and valuable consideration, the receipt and sufficiency of which are hereby acknowledged, Contractor and APA agree as follows:

1. Products and/or Services.

1.1 Contractor shall provide to APA the products (the “Products”) and/or services (the “Services”) set out in one or more statements of work to be issued by APA and accepted by Contractor (each, a “Statement of Work”). The initial accepted Statement of Work is attached hereto as **Exhibit A**. Additional Statements of Work shall be deemed accepted and incorporated into this Agreement only if signed by the Contractor Contract Manager (as defined in Section 2.1(a) below) and the APA Contract Manager (as defined in Section 3.1 below), appointed pursuant to Section 2.1(a) and Section 3.1, respectively. Contractor shall provide the Work (a) in accordance with the terms and subject to the conditions set forth in the applicable Statement of Work and this Agreement; (b) using personnel of required skill, experience, and qualifications; (c) in a timely, workmanlike, and professional manner; (d) in accordance with generally recognized industry standards in Contractor’s field; and (e) to the reasonable satisfaction of APA. As APA has multiple sites, the location of the worksite will be set forth in the applicable Statement of Work.

1.2 For the sake of clarity, nothing in this Agreement shall be construed to prevent APA from performing for itself or from acquiring from other providers products and/or services that are similar to or identical to the Products and/or Services.

2. Contractor Obligations. Contractor shall:

2.1 Appoint representatives to the following positions after obtaining APA’s consent, which consent shall not be unreasonably withheld:



Commercial Products & Services Agreement Pursuant to Bid Solicitation / Request for Proposal
B/U 3 Bucket Drive Gearbox Replacement

(a) A primary contact to act as its authorized representative with respect to all matters pertaining to this Agreement (the “**Contractor Contract Manager**”).

(b) A sufficient number of employees or subcontractors to provide the Products and/or perform the Services set out in each Statement of Work. If this contract agreement is for or includes Professional Services, also provide for each of the Professional Employees; their names, positions, billing rates, and respective levels of experience and relevant licenses to APA (collectively, with Contractor Contract Manager, “**Contractor Representatives**”).

2.2 Make no changes in Contractor Representatives except:

(a) With the prior consent of APA, which consent shall not be unreasonably withheld.

(b) At the request of APA, in which case Contractor shall promptly appoint a replacement.

(c) Upon the resignation, termination, death, or disability of the existing Contractor Representative.

2.3 Assign only qualified, legally authorized, and suitably skilled and experienced Contractor Representatives to provide the Products and/or Services.

2.4 Ensure that all equipment used in providing the Products and/or Services is in good working order and suitable for the purposes for which it is used, and conforms to all relevant legal standards and standards specified by APA.

2.5 Comply with all applicable laws and regulations in providing the Products and/or Services.

2.6 Comply with all APA rules, regulations, and policies (including, but not limited to, security, safety, and environmental rules, regulations, and policies) in providing the Products and/or Services.

2.7 Report to the APA Contract Manager (as defined in Section 3.1 below) on the scheduling and status of the Products and/or Services, including promptly reporting any delays.

2.8 Maintain complete and accurate records relating to the provision of the Products and/or Services under this Agreement, including records of the time spent and materials used by Contractor in providing the Products and/or Services in such form as APA shall approve. During the Term (as defined in Section 8.1) and for a period of five (5) years thereafter, upon APA’s written request, Contractor shall allow APA or APA’s representative to inspect and make copies of such records and interview Contractor Representatives in connection with the provision of the Products and/or Services; provided that APA provides Contractor with reasonable advance written notice of the planned inspection.

3. APA Obligations. APA shall:

3.1 Designate one of its employees or agents to serve as its primary contact with respect to this Agreement and to act as its authorized representative with respect to matters pertaining to this Agreement



Commercial Products & Services Agreement Pursuant to Bid Solicitation / Request for Proposal
B/U 3 Bucket Drive Gearbox Replacement

(the “**APA Contract Manager**”), with such designation to remain in force unless and until a successor APA Contract Manager is appointed, in APA’s sole discretion.

3.2 Require that the APA Contract Manager respond reasonably promptly to any reasonable requests from Contractor for instructions, information, or approvals required by Contractor to provide the Products and/or Services.

4. Fees and Expenses.

4.1 In consideration of the Products to be provided and/or Services to be performed under this Agreement, APA shall pay to Contractor a fee determined in accordance with the fee schedule set out in each Statement of Work. Unless otherwise provided in the Statement of Work, said fee will be payable within thirty (30) days of receipt by APA of an undisputed invoice from Contractor accompanied by documentation reasonably requested by APA evidencing all charges. Contractor should send invoices to accountspayable@alports.com for processing. Notwithstanding anything to the contrary in Section 17, an invoice delivered by email as described in this Section 4.1 is deemed to be effective.

4.2 The fees set forth in this Agreement shall cover and include all materials used and expenses incurred by Contractor in providing the Products and/or Services. In no event shall APA be required to pay any additional amount to Contractor in connection with such materials or expenses.

4.3 The fees set forth in this Agreement shall cover and include all sales and use taxes, duties, and charges of any kind imposed by any federal, state, or local governmental authority on amounts payable by APA under this Agreement. In no event shall APA be required to pay any additional amount to Contractor in connection with such taxes, duties, and charges, or any taxes imposed on, or regarding, Contractor’s income, revenues, gross receipts, personnel, or real or personal property or other assets.

5. Intellectual Property.

5.1 For supply contracts: APA and Contractor shall both retain ownership of any their respective pre-existing intellectual property. For the avoidance of doubt, Contractor retains all rights to its pre-existing intellectual property, including methodologies, software, tools, techniques, designs, processes, and know-how used in providing the Products and/or Services. APA acknowledges that Contractor may use such pre-existing intellectual property in the provision of the Products and/or Services, and this Agreement does not transfer ownership of such pre-existing intellectual property to APA. Any improvements or enhancements made to the Contractor’s pre-existing intellectual property by the Contractor in providing the Products and/or Services remain the exclusive property of the Contractor. The Contractor assigns APA rights to, and only to, custom deliverables specifically created for APA under this Agreement and listed on an Exhibit listed and referenced within your proposal.

5.2 For design and information technology contracts: All intellectual property rights, including copyrights, patents, patent disclosures and inventions (whether patentable or not), trademarks, service marks, trade secrets, know-how, designs, formulae, improvements, applications generally, computer code, computer platforms, computer



Commercial Products & Services Agreement Pursuant to Bid Solicitation / Request for Proposal
B/U 3 Bucket Drive Gearbox Replacement

applications, discoveries, and other confidential information, trade dress, trade names, logos, corporate names and domain names, together with all of the goodwill associated therewith, derivative works, and all other rights (collectively, “**Intellectual Property Rights**”) in and to all documents, work product, and other materials that are delivered to APA under this Agreement or prepared by or on behalf of Contractor in the course of providing the Products and/or performing the Services (collectively, the “**Deliverables**”) shall be owned exclusively by APA. Contractor agrees, and shall cause all pertinent Contractor Representatives to agree, that with respect to any Deliverables that may qualify as “work made for hire” as defined in 17 U.S.C. § 101, such Deliverables are hereby deemed a “work made for hire” for APA. Contractor hereby irrevocably assigns, and shall cause the Contractor Representatives to irrevocably assign to APA, in each case without additional consideration, all right, title, and interest throughout the world in and to the Deliverables, including all Intellectual Property Rights therein. Contractor shall cause Contractor Representatives to irrevocably waive, to the extent permitted by applicable law, any and all claims such Contractor Representatives may now or hereafter have in any jurisdiction to so-called “moral rights” or rights of droit moral with respect to the Deliverables.

6. Confidentiality. All non-public, confidential, or proprietary information of APA (“**Confidential Information**”), including, but not limited to, specifications, samples, patterns, designs, plans, drawings, documents, data, business operations, customer lists, pricing, discounts, or rebates, disclosed by APA to Contractor, whether disclosed orally or disclosed or accessed in written, electronic, or other form or media, and whether or not marked, designated, or otherwise identified as “confidential,” in connection with this Agreement is confidential, solely for Contractor’s use in performing this Agreement, and may not be disclosed or copied unless authorized by APA in writing. Confidential Information does not include any information that: (a) is or becomes generally available to the public other than as a result of Contractor’s breach of this Agreement; (b) is obtained by Contractor on a non-confidential basis from a third-party that was not legally or contractually restricted from disclosing such information; (c) Contractor establishes, by documentary evidence, was in Contractor’s possession prior to APA’s disclosure hereunder; or (d) was or is independently developed by Contractor without using any Confidential Information. Upon APA’s request, Contractor shall promptly return all documents and other materials received from APA. APA shall be entitled to injunctive relief for any violation of this Section.

7. Physical and Security Access.

7.1 All individuals involved in providing the Products and/or Services and accessing any terminal of APA, including any Contractor Representatives, must have a valid Transportation Worker Identification Credential (TWIC) card and APA badge, and any vehicle operated by any such individuals on any terminal of APA must have an APA vehicle decal. A designated APA representative shall escort each such individual on APSA terminal property.

7.2 In the event any Contractor Representatives may need remote access to APA’s computer systems or network to provide the Products and/or Services, any such Contractor Representatives must obtain approval from the APA IT Department.



Commercial Products & Services Agreement Pursuant to Bid Solicitation / Request for Proposal
B/U 3 Bucket Drive Gearbox Replacement

8. Term, Termination, and Survival.

8.1 This Agreement shall commence as of the Effective Date and shall continue thereafter until the completion of the Services and/or Delivery / Installation of the Products, pursuant to and under all Statements of Work (the “**Term**”) unless sooner terminated pursuant to Sections 8.2 and 8.3 or extended upon mutual written agreement of the Parties.

8.2 APA, in its sole discretion, may terminate this Agreement or any Statement of Work, in whole or in part, at any time without cause, and without liability except for required payment for Products provided and/or Services rendered, and reimbursement for authorized expenses incurred, prior to the termination date, by providing at least ten (10) days’ prior written notice to Contractor.

8.3 Either Party may terminate this Agreement, effective upon written notice to the other Party (the “**Defaulting Party**”), if the Defaulting Party:

- (a) Materially breaches this Agreement, and such breach is incapable of cure, or with respect to a material breach capable of cure, the Defaulting Party does not cure such breach within five (5) days after receipt of written notice of such breach.
- (b) Becomes insolvent or admits its inability to pay its debts generally as they become due.
- (c) Becomes subject, voluntarily or involuntarily, to any proceeding under any domestic or foreign bankruptcy or insolvency law.
- (d) Is dissolved or liquidated or takes any corporate action for such purpose.
- (e) Makes a general assignment for the benefit of creditors.
- (f) Has a receiver, trustee, custodian, or similar agent appointed by order of any court of competent jurisdiction to take charge of or sell any material portion of its property or business.

8.4 Upon expiration or termination of this Agreement for any reason, Contractor shall promptly:

- (a) Deliver to APA all documents, work product, and other materials, whether or not complete, prepared by or on behalf of Contractor in the course of fabricating and providing the Products and/or performing the Services for which APA has paid.
- (b) Return to APA all APA-owned property, equipment, or materials in its possession or control.
- (c) Remove any Contractor-owned property, equipment, or materials located at APA’s locations.



Commercial Products & Services Agreement Pursuant to Bid Solicitation / Request for Proposal
B/U 3 Bucket Drive Gearbox Replacement

- (d) Deliver to APA all documents and tangible materials (and any copies) containing, reflecting, incorporating, or based on APA's Confidential Information.
- (e) Provide reasonable cooperation and assistance to APA in transitioning the Services and/or the fabrication and provision of the Products to an alternate Contractor.
- (f) On a pro rata basis, repay all fees and expenses paid in advance for any Products and/or Services which have not been provided.
- (g) Permanently delete all of APA's Confidential Information from its computer systems.
- (h) Certify in writing to APA that it has complied with the requirements of this Section 8.4.

8.5 The rights and obligations of the Parties set forth in this Section 8 and Section 5, Section 6, Section 9, Section 10, Section 11, Section 12, Section 13, Section 15, Section 17, Section 24, Section 25, and Section 26, and any right or obligation of the Parties in this Agreement which, by its nature, should survive termination or expiration of this Agreement, will survive any such termination or expiration of this Agreement, and with respect to Confidential Information that constitutes a trade secret under applicable law, the rights and obligations set forth in Section 6 hereof will survive such termination or expiration of this Agreement until, if ever, such Confidential Information loses its trade secret protection other than due to an act or omission of Service Provider or its affiliates and its or their employees, officers, directors, shareholders, partners, members, managers, agents, independent contractors, service providers, sublicensees, subcontractors, attorneys, accountants, and financial advisors.

9. Independent Contractor.

9.1 It is understood and acknowledged that the Products and/or Services which Contractor will provide to APA hereunder shall be in the capacity of an independent contractor and not as an employee or agent of APA. Contractor shall control the conditions, time, details, and means by which Contractor fabricates and provides the Products and/or performs the Services. APA shall have the right to inspect the work of Contractor as it progresses solely for the purpose of determining whether the work is completed according to the applicable Statement of Work.

9.2 Contractor has no authority to commit APA, act for or on behalf of APA, or to bind APA to any obligation or liability.

9.3 Contractor shall not be eligible for and shall not receive any employee benefits from APA and shall be solely responsible for the payment of all taxes, FICA, federal and state unemployment insurance contributions, state disability premiums, and all similar taxes and fees relating to the fees earned by Contractor hereunder.

10. Inspection of Commercial Supplies, Products, and/or Services.

10.1 Definition. "Supplies," as used in this Section, includes but is not limited to raw materials, components, intermediate assemblies, end products, and lots of supplies.



Commercial Products & Services Agreement Pursuant to Bid Solicitation / Request for Proposal
B/U 3 Bucket Drive Gearbox Replacement

10.2 The Contractor shall provide and maintain an inspection system acceptable to APA covering supplies under this contract and shall tender to APA for acceptance only supplies that have been inspected in accordance with the inspection system and have been found by the Contractor to be in conformity with contract requirements. As part of the system, the Contractor shall prepare records, evidencing all inspections made under the system and the outcome. These records shall be kept complete and made available to APA during contract performance and for as long afterwards as the contract requires. APA may perform reviews and evaluations as reasonably necessary to ascertain compliance with this paragraph. These reviews and evaluations shall be conducted in a manner that will not unduly delay the contract work. The right of review, whether exercised or not, does not relieve the Contractor of the obligations under the contract.

10.3 APA shall have the right to inspect the Product and perform reasonable tests to confirm conformance with the mutually approved design and specifications. All such inspections and tests shall be performed at APA's expense and in a manner that does not unreasonably interfere with the Contractor's operations. APA shall notify the Contractor in writing of any nonconformities promptly upon discovery. The Contractor shall correct or replace any nonconforming components at its own expense if such nonconformities are attributable to a failure to meet the agreed specifications. Unless otherwise agreed in writing, the Contractor shall not be responsible for modifications, integration, or testing services beyond the defined scope of supply.

10.4 If APA performs inspection or test on the premises of the Contractor or a subcontractor, the Contractor shall furnish, and shall require subcontractors to furnish, at no increase in contract price, all reasonable facilities and assistance for the safe and convenient performance of these duties. Except as otherwise provided in the contract, APA shall bear the expense of APA inspections or tests made at other than the Contractor's or subcontractor's premises; provided, that in case of rejection, APA shall not be liable for any reduction in the value of inspection or test samples.

10.5 When supplies are not ready at the time specified by the Contractor for inspection or test, APA may charge to the Contractor the additional cost of inspection or test. APA may also charge the Contractor for any additional cost of inspection or test when prior rejection makes reinspection or retest necessary.

10.6 APA has the right either to reject or to require correction of nonconforming supplies. Supplies are nonconforming when they are defective in material or workmanship or are otherwise not in conformity with contract requirements. APA may reject nonconforming supplies with or without disposition instructions.

10.7 The Contractor shall remove supplies rejected or required to be corrected. However, APA may require or permit correction in place, promptly after notice, by and at the expense of the Contractor. The Contractor shall not tender for acceptance corrected or rejected supplies without disclosing the former rejection or requirement for correction, and, when required, shall disclose the corrective action taken.

10.8 If the Contractor fails to promptly remove, replace, or correct rejected supplies that are required to be removed or to be replaced or corrected, APA may either (1) by contract or otherwise, remove, replace, or correct the supplies and charge the cost to the Contractor or (2) terminate the contract for default. Unless the Contractor



Commercial Products & Services Agreement Pursuant to Bid Solicitation / Request for Proposal
B/U 3 Bucket Drive Gearbox Replacement

corrects or replaces the supplies within the delivery schedule, APA may require their delivery and make an equitable price reduction. Failure to agree to a price reduction shall be a dispute.

10.9 If this contract provides for the performance of APA quality assurance at source, and if requested by APA, the Contractor shall furnish advance notification of the time- When the Contractor inspection or tests will be performed in accordance with the terms and conditions of the contract; and when the supplies will be ready for APA inspection. APA's request shall specify the period and method of the advance notification and APA representative to whom it shall be furnished. Requests shall not require more than 2 workdays of advance notification if APA representative is in residence in the Contractor's plant, nor more than 7 workdays in other instances.

10.10 APA, in addition to any other rights and remedies provided by law, or under other provisions of this contract, shall have the right to require the Contractor (1) at no increase in contract price, to correct or replace the defective or nonconforming supplies at the original point of delivery or at the Contractor's plant at APA's election, and in accordance with a reasonable delivery schedule as may be agreed upon between the Contractor and APA; provided, that APA may require a reduction in contract price if the Contractor fails to meet such delivery schedule, or (2) within a reasonable time after receipt by the Contractor of notice of defects or nonconformance, to repay such portion of the contract as is equitable under the circumstances if APA elects not to require correction or replacement. When supplies are returned to the Contractor, the Contractor shall bear the transportation cost from the original point of delivery to the Contractor's plant and return to the original point when that point is not the Contractor's plant. If the Contractor fails to perform or act as required in paragraph (1)(1) or (1)(2) of this clause and does not cure such failure within a period of 10 days (or such longer period as APA may authorize in writing) after receipt of notice from APA specifying such failure, APA shall have the right by contract or otherwise to replace or correct such supplies and charge to the Contractor the cost occasioned APA thereby.

11. Warranty. In addition to any warranties in the Agreement and any rights and remedies at law or in the equity that APA may have, Contractor expressly warrants that the Products and/or Services furnished hereunder shall be free from defects in material, workmanship, and design, and shall be according to the best applicable industry-standard practices. The materials used in providing the Products and/or Services shall be new, unless otherwise specified, and of first-class quality. In addition to any other rights APA has under the Agreement, at law or equity, Contractor shall promptly repair, modify or replace the Products and/or work resulting from the Services (the "Work") or any part thereof found to be defective and any portion of the Work at Contractor's sole expense, including parts, freight and labor for removal and reinstallation, upon receipt of notification from APA within twenty-four (24) months from the date of APA's final acceptance of the Products, Work, and/or Services. Any repaired, modified or replaced Products and/or Work shall be additionally warranted against defects for a period of twelve (12) months after completion of such repair, modification or replacement of defective Products and/or Work. In the alternative, APA shall have the right to have the defective Products and/or Work, or any portion of the Products and/or Work. In the alternative, APA shall have the right to have the defective Products and/or Work, or any portion of the Products and/or Work or property damaged by such Products, Work, and/or Services or the repair of the Products and/or Work, remedied or changes made at the expense of Contractor, and Contractor agrees to pay APA on demand for all loss, damage, costs, attorneys' and consultants' fees, and other charges incurred and made by APA in connection with such corrective work, together with interest thereon at the highest rate allowed by applicable law from the date incurred.



Commercial Products & Services Agreement Pursuant to Bid Solicitation / Request for Proposal
B/U 3 Bucket Drive Gearbox Replacement

Contractor acknowledges that, notwithstanding any drawings, specifications or other descriptions of the Products and/or Services, APA is relying on Contractor's skill and judgement to furnish suitable Products, Services, and/or Work for the purposes described in the Statement of Work. All warranties are in addition to any other rights of APA and shall survive any inspections, delivery, acceptance, and payment. Without relieving Contractor of any of its warranty obligations under the Agreement, Contractor shall assign in full, and without cost to APA, all warranties from Contractor's subcontractors that are applicable to the Products, Services, and/or Work, and deliver such assigned warranties with the Products, Services, and/or Work.

12. Indemnification. To the extent permitted under applicable law, Contractor shall indemnify, defend, and hold harmless APA and its officers, directors, employees, agents, affiliates, successors, and permitted assigns (collectively, "**Indemnified Party**") against any and all losses, damages, liabilities, deficiencies, claims, actions, judgments, settlements, interest, awards, penalties, fines, costs, or expenses of whatever kind, including reasonable attorneys' fees, fees, and the costs of enforcing any right to indemnification under this Agreement, and the cost of pursuing any insurance providers incurred by or awarded against Indemnified Party (collectively, "Losses"), relating to, arising out of, or resulting from any claim of a third party or APA arising out of or occurring in connection with Contractor's operations under this Agreement (whether such operations are performed by the Contractor itself or by some person or entity acting on behalf of the Contractor), Products, and/or Services.

13. Remedies.

13.1 If Contractor violates any provision of this Agreement, APA shall, in addition to any damages to which it is entitled, be entitled to immediate injunctive relief against Contractor prohibiting further actions inconsistent with the Contractor's obligations under this Agreement.

13.2 In the event Contractor breaches this Agreement (including, but not limited to, by failing to satisfactorily provide any of the Products and/or perform any of the Services on a timely basis) and fails to cure within any applicable cure period, APA shall have the right, without prejudice to any other rights or remedies it may have under this Agreement or any applicable Statement of Work, to take one or more of the following steps:

- (a) Suspend Contractor's right and obligation to complete its provision of the Products and/or performance of the Services until such time as Contractor is able to demonstrate to APA's reasonable satisfaction that Contractor can satisfactorily meet its obligations under this Agreement;
- (b) Itself provide and engage a replacement contractor to provide any or all of the delayed or unsatisfactory Products and/or Services;
- (c) Assign one or more of its representatives to supervise and work with Contractor to correct and mitigate the effects of Contractor's breach;
- (d) Withhold payment of any amounts otherwise due to Contractor in a sufficient amount to set off against any damages caused to APA as a consequence of Contractor's breach.



Commercial Products & Services Agreement Pursuant to Bid Solicitation / Request for Proposal
B/U 3 Bucket Drive Gearbox Replacement

13.3 To protect APA from schedule delays that impact terminal operations, liquidated damages shall apply in the event Contractor fails to timely deliver the Products and/or fails to timely achieve final acceptance of the Services. Liquidated damages shall be calculated at a rate of \$1500.00 per calendar day, but total liquidated damages shall not exceed 10% of the total contract value. Liquidated damages are not a penalty but a reasonable pre-estimate of the actual damages APA will incur due to delays in operational readiness and revenue loss. This clause does not relieve the Contractor of its obligations under the Agreement or applicable Statement of Work, nor does this clause waive APA's rights to pursue other contractual or non-contractual remedies.

13.4 To the extent APA is required to seek enforcement of this Agreement or otherwise defend against an unsuccessful claim of breach, Contractor shall be liable for all attorney's fees and costs incurred by APA to enforce the provisions of this Agreement.

13.5 All rights and remedies provided in this Agreement are cumulative and not exclusive, and the exercise by either Party of any right or remedy does not preclude the exercise of any other rights or remedies that may now or subsequently be available at law, in equity, by statute, in any other agreement between the Parties, or otherwise. Despite the previous sentence, the Parties intend that Contractor's exclusive remedy for APA's payment breach shall be its right to damages equal to its earned but unpaid fees.

13.6 Nothing in this Agreement shall constitute a waiver or limitation of the immunity of APA as an agency of the State of Alabama.

14. Compliance with Law. Contractor is in compliance with and shall comply with all applicable laws, regulations, and ordinances. Contractor has and shall maintain in effect all the licenses, permissions, authorizations, consents, and permits that it needs to carry out its obligations under this Agreement.

15. Insurance.

15.1 Contractor shall not commence work under the Agreement or Statement of Work until it has obtained all insurance required under this Section and until such insurance has been approved by APA, nor shall the Contractor allow any subcontractor to commence work until all similar applicable insurance has been obtained by the subcontractor or the Contractor has provided coverage for the subcontractor.

15.2 During the Term, Contractor shall, at its own expense, maintain and carry insurance in full force and effect with financially sound and reputable insurers, that includes, but is not limited to, commercial general liability with limits no less than \$2,000,000 per occurrence and \$4,000,000 in the aggregate, including bodily injury and property damage and completed operations and advertising liability, which policy will include contractual liability coverage insuring the activities of Contractor under this Agreement. Contractor shall provide APA with a certificate of insurance from Contractor's insurer evidencing the insurance coverage specified in this Agreement. The certificate of insurance shall name APA as an additional insured. Contractor shall provide APA with thirty (30) days' advance written notice in the event of a cancellation or material change in Contractor's insurance policy.



Commercial Products & Services Agreement Pursuant to Bid Solicitation / Request for Proposal
B/U 3 Bucket Drive Gearbox Replacement

Except where prohibited by law, Contractor shall require its insurer to waive all rights of subrogation against APA's insurers and APA or the Indemnified Parties.

15.3 If it shall use any autos in connection with providing Services to APA, Contractor shall take out and maintain during the life of the Agreement or Statement of Work Business Automobile Liability insurance covering any auto in an amount not less than \$1,000,000 for any one occurrence for bodily injury, including death, and property damage liability.

15.4 If it shall have any employees involved in providing Services for APA, Contractor shall also provide workers' compensation insurance covering those employees for at least \$1,000,000 and shall provide a certificate of insurance to APA evidencing such coverage within thirty (30) days of the effective date of this Agreement.

15.5 Where applicable, Contractor shall take out and maintain during the life of the Agreement or Statement of Work insurance providing coverage(s) as required by Federal statute, including but not limited to U.S. Longshoremen and Harborworkers' Compensation Act (USL&H), Jones Act, and Railroad Federal Employers Liability Act (FELA).

16. Entire Agreement. This Agreement, including and together with any related Statements of Work, exhibits, schedules, attachments, and appendices, constitutes the sole and entire agreement between the Parties with respect to the subject matter contained herein, and supersedes all prior and contemporaneous understandings, agreements, representations, and warranties, both written and oral, regarding such subject matter.

17. Notices. All notices, requests, consents, claims, demands, waivers, and other communications under this Agreement (each, a "**Notice**") must be in writing and addressed to the other Party at its address set forth below (or to such other address that the receiving Party may designate from time to time in accordance with this Section). Unless otherwise agreed herein, all Notices must be delivered by personal delivery, email (with confirmation of transmission), nationally recognized overnight courier, or certified or registered mail (in each case, return receipt requested, postage prepaid). Except as otherwise provided in this Agreement, a Notice is effective only (a) on receipt by the receiving Party; and (b) if the Party giving the Notice has complied with the requirements of this Section.

18. Site Visit. Offerors are encouraged to inspect the site where services are to be performed and/or equipment is to be delivered, to satisfy themselves regarding all conditions that may affect contract performance. To schedule a site visit, email both the APA Procurement Manager and Technical POC identified on page 1 by COB on 21 May 2026; the cut-off for all site visits is 25 May 2026.

Notice to APA:

2001 Ezra Trice Blvd, Mobile, Alabama 36603

Attention: Danny Turner, Preventative Maintenance
Manager, McDuffie Coal Terminal

Email: danny.turner@alports.com



Commercial Products & Services Agreement Pursuant to Bid Solicitation / Request for Proposal
B/U 3 Bucket Drive Gearbox Replacement

Notice to Contractor:

Address:

[_____]

[_____]

Attention:

[_____]

[TITLE OF OFFICER TO RECEIVE NOTICES]

Email:

[_____]

[CONTRACTOR EMAIL ADDRESS FOR NOTICES]

19. Severability. If any term or provision of this Agreement is found by a court of competent jurisdiction to be invalid, illegal, or unenforceable, such invalidity, illegality, or unenforceability shall not affect any other term or provision of this Agreement or invalidate or render unenforceable such term or provision in any other jurisdiction. Upon a determination that any term or provision is invalid, illegal, or unenforceable, the Parties shall negotiate in good faith to (or, if necessary, a court may) modify this Agreement to achieve the original intent of the Parties as closely as possible in order that the transactions contemplated hereby be consummated as originally contemplated to the greatest extent possible.

20. Amendments. No amendment to or modification, rescission, termination, or discharge of this Agreement shall be effective unless it is in writing, identified as an amendment to or modification, rescission, termination, or discharge of this Agreement, and signed by an authorized representative of each Party.

21. Waiver. No waiver by APA of any of the provisions of this Agreement shall be effective unless explicitly set forth in writing and signed by APA. Except as otherwise set forth in this Agreement, no failure by APA to exercise, or delay by APA in exercising, any right, remedy, power, or privilege arising from this Agreement shall operate or be construed as a waiver by APA thereof, nor shall any single or partial exercise by APA of any right, remedy, power, or privilege hereunder preclude any other or further exercise by APA thereof or the exercise by APA of any other right, remedy, power, or privilege.



Commercial Products & Services Agreement Pursuant to Bid Solicitation / Request for Proposal
B/U 3 Bucket Drive Gearbox Replacement

22. Assignment. Contractor shall not assign, transfer, delegate, or subcontract any of its rights or obligations under this Agreement without the prior written consent of APA. Any purported assignment or delegation in violation of this Section shall be null and void. No assignment or delegation shall relieve Contractor of any of its obligations hereunder. APA may at any time assign or transfer any or all of its rights or obligations under this Agreement without Contractor's prior written consent.
23. Successors and Assigns. This Agreement is binding on and inures to the benefit of the Parties and their respective successors and permitted assigns.
24. No Third-Party Beneficiaries. Other than as set forth in Section 12, this Agreement benefits solely the Parties and their respective successors and permitted assigns, and nothing in this Agreement, express or implied, confers on any third party any legal or equitable right, benefit, or remedy of any nature whatsoever under or by reason of this Agreement.
25. Choice of Law. This Agreement and all related documents, the relationship of the Parties relating to this Agreement, and all matters arising out of or relating to this Agreement, whether sounding in contract, tort, or statute, shall be governed by and construed in accordance with the laws of the State of Alabama, without giving effect to the conflict of laws provisions thereof to the extent such principles or rules would require or permit the application of the laws of any jurisdiction other than those of the State of Alabama.
26. Choice of Forum. Any legal action, suit, or proceeding brought by a Party in any way arising out of or relating to this Agreement shall be brought in the federal or state courts in Mobile County, Alabama, provided that any claims against APA may only, to the extent permitted by Alabama law, be brought before the Board of Adjustment of the Alabama Department of Finance. Nothing in this Agreement shall constitute a waiver or limitation of the immunity of APA as an agency of the State of Alabama.
27. Waiver of Jury Trial. EACH PARTY ACKNOWLEDGES THAT ANY CONTROVERSY THAT MAY ARISE UNDER THIS AGREEMENT, INCLUDING EXHIBITS, SCHEDULES, ATTACHMENTS, AND APPENDICES ATTACHED TO THIS AGREEMENT, IS LIKELY TO INVOLVE COMPLICATED AND DIFFICULT ISSUES AND, THEREFORE, EACH SUCH PARTY IRREVOCABLY AND UNCONDITIONALLY WAIVES ANY RIGHT IT MAY HAVE TO A TRIAL BY JURY IN RESPECT OF ANY LEGAL ACTION ARISING OUT OF OR RELATING TO THIS AGREEMENT, INCLUDING ANY EXHIBITS, SCHEDULES, ATTACHMENTS, OR APPENDICES ATTACHED TO THIS AGREEMENT, OR THE TRANSACTIONS CONTEMPLATED HEREBY.
28. Counterparts. This Agreement may be executed in counterparts, each of which is deemed an original, but all of which together are deemed to be one and the same agreement. Notwithstanding anything to the contrary in Section 17, a signed copy of this Agreement delivered by facsimile, email, or other means of electronic transmission is deemed to have the same legal effect as delivery of an original signed copy of this Agreement.



Commercial Products & Services Agreement Pursuant to Bid Solicitation / Request for Proposal
B/U 3 Bucket Drive Gearbox Replacement

29. Force Majeure.

No Party shall be liable or responsible to the other Party, or be deemed to have defaulted under or breached this Agreement, for any failure or delay in fulfilling or performing any term of this Agreement, when and to the extent such Party's (the "Impacted Party") failure or delay is caused by or results from the following force majeure events ("Force Majeure Event(s)"): (a) acts of God; (b) flood, fire, earthquake, or explosion; (c) war, invasion, hostilities (whether war is declared or not), terrorist threats or acts, riot or other civil unrest; (d) government order, law, or action; (e) embargoes or blockades in effect on or after the date of this Agreement; (f) national or regional emergency; (g) strikes, labor stoppages or slowdowns or other industrial disturbances; (h) industry-wide shortages of materials or components, (i) significant and unexpected increases in material costs, (j) transportation delays; and (k) other similar events beyond the reasonable control of the Impacted Party.

Notwithstanding the foregoing, Contractor's financial inability to perform, nor supplier actions or contract disputes external to the performance of this Agreement or any Statement of Work, will not excuse performance by Contractor under this Section, however the obligation of a Party to pay money for Products or materials delivered or for Services performed shall not in any way be excused.

The Impacted Party shall give notice within ten (10) days of the Force Majeure Event to the other Party, stating the period the occurrence is expected to continue. The Impacted Party shall use diligent efforts to end the failure or delay and ensure the effects of such Force Majeure Event are minimized. The Impacted Party shall resume the performance of its obligations as soon as reasonably practicable after the removal of the cause. If the Impacted Party's failure or delay remains uncured for a period of thirty (30) consecutive] days following written notice given by it under this Section, the other Party may thereafter terminate this Agreement upon ten (10) days' written notice, subject to the provisions of Section 7.4 and Section 7.5.

[SIGNATURE PAGE FOLLOWS]



Commercial Products & Services Agreement Pursuant to Bid Solicitation / Request for Proposal
B/U 3 Bucket Drive Gearbox Replacement

IN WITNESS WHEREOF, the Parties hereto have caused this Agreement to be executed as of the Effective Date by their respective officers thereunto duly authorized.

[ALABAMA PORT AUTHORITY]

By: _____
Name: Douglas C. Otto, Jr., P.E.
Title: Director & C.E.O.

[CORPORATION / CONTRACTOR NAME]

By: _____

Name:

Title:



Commercial Products & Services Agreement Pursuant to Bid Solicitation / Request for Proposal
B/U 3 Bucket Drive Gearbox Replacement

EXHIBITS

A - [SCHEDULE OF SUPPLIES & SPECIFICATIONS, PRICE SCHEDULES, AND OTHER IMPORTANT ITEMS]

B – [ALABAMA PORT AUTHORITY SPENDING AND TRAVEL POLICY, RESOLUTION # 2024-69]

C – DRAWINGS, SPECIFICATIONS, OR SCHEMATICS



Commercial Products & Services Agreement Pursuant to Bid Solicitation / Request for Proposal
B/U 3 Bucket Drive Gearbox Replacement

EXHIBIT A

Drop-In Replacement Parallel Shaft Gearbox – Statement of Work & Pricing Schedule

Project: Drop-In Replacement Parallel Shaft Gearbox, With Fan and Circulating Lubrication System

In Support of: McDuffie Coal Terminal Facility, Mobile, AL 36603

Delivery Location: 2001 Ezra Trice Blvd, Mobile, Al 36603

Solicitation Type: Firm-Fixed Price, One-Time Equipment Procurement

1. SCOPE OF WORK

The Contractor shall manufacture and deliver the following equipment to the Alabama Port Authority (APA) at McDuffie Coal Terminal:

Qty	Item Description	Type	Application
1	Drop-In Replacement Parallel Shaft Gearbox	X-tek	B/U 3 Bucket Drive

2. DESIGN SPECIFICATIONS

The Gearbox shall meet or exceed the following specifications:

Parameter	Requirement
Input power:	700 HP
Input RPM	1750
Thermal H.P Rating	702.5
Exact Reduction	26.1
Service Factor:	1.0 or better
AGMA Gear Quality	AGMA 10 or better
Lube System	Electric motor with mechanical pump, pressure relief valve, complete plumbing
Oil Seals	Double lip seals or better
Cooling	Fan with guarding on input shaft

3. POWER SPECIFICATIONS FOR LUBE SYSTEM MOTOR

Parameter	Requirement
-----------	-------------



Commercial Products & Services Agreement Pursuant to Bid Solicitation / Request for Proposal
B/U 3 Bucket Drive Gearbox Replacement

Electric Motor	230/460 3ph 60 cyc
----------------	--------------------

4. GEARING REQUIRMENTS

1. All gearing will be manufactured from AISI 8620 steel, with the teeth carburized and hardened to 58 – 62 Rockwell C, using Tool Steel Carburizing Process.
2. All gearing will be manufactured to AGMA quality class 10 specifications minimum.
3. The output shaft will be manufactured from AISI 4140 steel, hardened to 280-320 Bhn.

5. GEARBOX HOUSING

1. The housing will be fabricated from A36 plate, stress relieved, and machined complete.
2. Housing will be painted to withstand the McDuffie Coal Terminal industrial environment.

6. BEARINGS, RETAINERS, COUPLINGS AND OIL SEALS

- The bearings, retainers, spacers, seals, etc. will be supplied by the Contractor.

7. LUBRACTION SYSTEM

- The lubrication system for this gearbox will be provided by the Contractor.
- Motor, Pump, All Plumbing necessary for the function of the Gearbox.

8. TEST

- i. Gearbox will be tested to verify contact patterns, bearing temperatures.
- ii. Contractor will supply all documentation to ensure all tests are completed.

9. DELIVERABLES

The Contractor shall provide the following deliverables:

- Drop-In Replacement Parallel Shaft Gearbox, and any and all optional items that APA includes as part of the contract award.



Commercial Products & Services Agreement Pursuant to Bid Solicitation / Request for Proposal
B/U 3 Bucket Drive Gearbox Replacement

10. DELIVERY SCHEDULE

Milestone	Timeline
Design Submittals / Product Data	6 weeks
Manufacturing Lead Time	Offeror to propose
Delivery to McDuffie Coal Terminal	Offeror to propose

Note: These are standard-design, commercially available products. Offerors shall state their standard manufacturing and delivery lead times.

11. PRICING SCHEDULE

Contract type: Firm-Fixed Price. All pricing shall be inclusive of manufacturing, testing, packaging, and FOB delivery to McDuffie Coal Terminal, Mobile, AL.

No.	Description	Qty	Unit Price	Extended Price
1	B/U 3 Bucket Drive Gearbox Replacement	1	\$	\$
	BASE BID TOTAL (Items 1)			\$

12. INVOICING & PAYMENT TERMS

This is a one-time firm-fixed price equipment purchase. Payment shall be made upon delivery and acceptance of all equipment.

Milestone	Payment
Delivery & Acceptance of all Equipment at McDuffie Coal Terminal	100% of Contract Value – Net 30 Days



Commercial Products & Services Agreement Pursuant to Bid Solicitation / Request for Proposal
B/U 3 Bucket Drive Gearbox Replacement

All invoices shall be submitted to: accountspayable@alports.com

9. PROPOSAL REQUIREMENTS

In addition to the requirements stated in the solicitation, each Offeror shall include the following in their proposal:

- Technical data sheets for the proposed Gearbox.
- Confirmation of compliance with all specifications stated in Exhibit A of this solicitation.
- Manufacturing and delivery lead times.
- Completed Pricing Schedule per Section 11.
- Acknowledgement of acceptance of the solicitations' warranty requirements, terms and duration.
- Past performance references.
- Any exceptions or deviations from the stated specifications.

EXHIBIT B –

ALABAMA PORT AUTHORITY SPENDING AND TRAVEL POLICY RESOLUTION # 2024-69

“Internal Document – Forwarded/Provided Separately For Your Information.”

EXHIBIT C –

DRAWINGS, SPECIFICATIONS, OR SCHEMATICS

ITEM	NAME	QTY	B.P. NUMBER OR DESCRIPTION	DATE COMP.	STORES NO.	SOURCE	STEEL	RAW MATERIAL	VENDOR NAME	P.O. NO.	REMARKS
MAIN HOUSING ASSY											
51	BRG RET. INPUT	1	5-29550-RHA					Ø PLASTIC GASK SHIM			
52	BRG RET. FLOATING	1	5-29550-RFA					Ø PAPER GASK 1/32			
53	BRG RET. INTER	1	5-29550-RHB					Ø PLASTIC GASK SHIM			
54	BRG RET. INTER	1	5-29550-RFB					Ø PAPER GASK 1/32			
55	BRG RET. INTER	1	-BHC					Ø PLASTIC GASK SHIM			
56	BRG RET. FLOATING	1	-RFC					Ø PAPER GASK 1/32			
57	BRG RET. INTER	1	-RND					Ø PLASTIC GASK SHIM			
58	BRG RET. FLOATING	1	-RED					Ø PAPER GASK 1/32			
59	BRG RET. OUTPUT	1	5-29550-RHE					Ø PLASTIC GASK SHIM			
60	BRG RET. OUTPUT	1	5-29550-RFE					Ø PAPER GASK 1/32			
61	BOLT HEX HEAD INPUT RETS	12	1/2-13 X 1 1/2 LG					GRADE 5			
62	BOLT HEX HEAD INTER RETS	6	3/4-10 X 2 LG					GRADE 5			
63	BOLT HEX HEAD INTER RETS	6	3/4-10 X 1 1/2 LG					GRADE 5			
64	BOLT HEX HEAD INTER RETS	12	3/4-10 X 2 LG					GRADE 5			
65	OIL SEAL INPUT	1	28687					C/R			
66	OIL SEAL OUTPUT	1	737-8879-20-MO/L					JOHN CRANE			
67	INSP. PLATE	1	5-29550-1P					Ø CORK GASKET 1/6 THK.			
68	OIL SEAL INPUT	1	32397					C/R			
69	BOLT HEX HEAD INSP. PLATE	8	3/8-16 X 1 LG					GRADE 5			
70	BREATHER	1	* DMGBL					AIRMAZE			
71	DRAIN PLUG MAGN	2	1/4-1 1/2 N.P.T.F.					USLE			
72											

ENGINEERING - RECORD:
 - ITEM NUMBER
 - PART NAME
 - QUAN / ASSY.
 - B.P. # OR DESCRIPTION
 - SOURCE - MFG. OR CUST.
 - ASSY. INFO.
 - TITLE BOX

PURCHASING - RECORD:
 - SOURCE - STR. OR PURCH.
 - RAW MAT'L INFO.
 - VENDOR
 - PURCH. ORDER #

MFG. INFO.:
 FOR MAIN ASSY
 SEE B.P. # 5-29550-A
 FOR APPROVAL DRAWING SEE B.P. # 5-29550-AP

Form 1126 Revised 10-10-72

16010

SHEET 1 OF 4

ITEM NAME	MAIN ASSEMBLY		
REF. DATA USED ON	XREF CINCINNATI, OHIO		
DRAFT	13	NO. OF ASSEM	S.O.
CHECK IN	10/1/81	NO. OF ASSEM	NO. 5-29550-01
DATE	9/1/81		

BILL OF MATERIAL

ITEM	NAME	QTY	B.P. NUMBER OR DESCRIPTION	DATE COMP.	STORES NO.	S U R C E MFG QTY STR PUR	STEEL	RAW MATERIAL	VENDOR NAME	P.O. NO.	REMARKS
92	PIPE RED. BUSH	3	1" TO 3/4 NPT								
93	PIPE TEE	2	3/4 NPT								
94	90° PIPE ELBOW	3	3/4 NPT								
95	PIPE UNION	1	3/4 NPT								
96	CLOSE NIPPLE	3	3/4 NPT								
97	PIPE	AR	3/4 NPT								
98	CLOSE NIPPLE	1	1" NPT								
99	RELIEF VALVE	1	VJ-S-WS (75PSI FACTORY SET)					FULFLO			
11	FLOW END	1	TARBOK-300-S 1.0					JACOBY			
12	BUSHING	2	3/4 PT 1/2 T								
13	MALE CONN.	1/2	8-8-FBU-S					PARKER			
14	CAP	2	8-FNU-S					PARKER			
15	TUBING	AR	1/2								
16	SIGHT FEED OILER	6	A-2480-1/2 NPT					OILRITE			
17	SPEC. IND. FAN	1	SIZE L13 HOUSING, WHEEL AND OUTLET SCREENS					H.K. PORTER CO./INC.			
18	BRAKE RELEASE ASSEMBLY	1	PER DWG. NO. C-33735-1 TO FIT FORM SPRAG CLUTCH #FSO-700 KENNEDY LTD.					BLACK CLAWSON			
19	CLUTCH	1	FSO 700-2.750 B. W/5/8 X 1/32 K.W FORM SPRAG (DANA INDUSTRIAL) W/STEEL LABYRINTH SEALS FOR GREASE								

ENGINEERING - RECORD:
 - ITEM NUMBER
 - PART NAME
 - QUAN / ASSY.
 - B.P.# OR DESCRIPTION
 - SOURCE - MFG. OR CUST.
 - ASSY. INFO.
 - TITLE BOX

PURCHASING - RECORD:
 - SOURCE - STR. OR PURCH.
 - RAW MAT'L INFO.
 - VENDOR
 - PURCH. ORDER #

MFG. INFO.:
FOR MAIN ASSY
SEE BP # 5-29550-A

Form 1126 Revised 10-30-72

SHEET 3 OF 4

ITEM NAME	HOUSING	
REF. DATA	X12K1 CINCINNATI, OHIO	
NO. OF USED DRAFT	NO. OF ASSEM	5.0.
CHECK DATE	1/10/81	NO. 5-29550-01

BILL OF MATERIAL

ITEM	NAME	QTY	B. P. NUMBER OR DESCRIPTION	DATE COMP.	STOCKS NO.	SOURCE	STEEL	RAW MATERIAL	VENDOR NAME	P. O. NO.	REMARKS
INPUT SHAFT ASSY											
40	SHAFT PINION	1	5-29550-PA			V					
41	STUB SHAFT	1	5-29550-S5			V					
42	BEARING	2	85 SD 23W3BRF3				TORR				
43		1				V					
44	END CAP	1	-EA								
45	END CAP BOLT		X LG				GRADE 5				
46	KEY	1	5-29550-K (REF)			V					
47	KEY	1	5-29550-K (REF)			V					
48	LOCKNUT	1	AN-17				TORR				
49	LOCKWASHER	1	AW-17				TORR				
1ST INTER SHAFT ASSY											
50	SHAFT PINION	1	5-29550-PB			V					
51	GEAR	1	5-29550-GB			V					
52	BEARING	2	120SD 23W33F3				TORR				
53	SPACER	1	5-29550-SB			V					
54	END CAP	1	5-29550-EB			V					
55	END CAP BOLT	4	5-11 X 1/2 LG				GRADE 5				
56	KEY	1	5-29550-K (REF)								
57											
58											

ENGINEERING - RECORD:
 -ITEM NUMBER
 -PART NAME
 -QUAN./ASSY.
 -B. P. # OR DESCRIPTION
 -SOURCE - MFG. OR CUST.
 -ASSY. INFO.
 -TITLE BOX

PURCHASING - RECORD:
 -SOURCE - SUP. OR PURCH.
 -RAW MAT'L INFO.
 -VENDOR
 -PURCH. ORDER #

MFG. INFO.:
 FOR MAIN ASSY
 SEE B.P. # 5-29550-A

Form 1126 Revised 10-10-72

16030

SHEET 1 OF 2

ITEM NAME	GEARING		
REF. DATA	XEROX CINCINNATI, OHIO		
USED ON	GEAR REDUCER		
DRAFT NO.	15	NO. OF ASSEM	S.O.
CHECK DATE	11/1/81		
			NO. 29550 -02

ITEM	NAME	PLAN ASSY	B.P. NUMBER OR DESCRIPTION	DATE COMP.	STORES NO.	SOURCE	STEEL	RAW MATERIAL	VENDOR NAME	P.O. NO.	REMARKS
77											
78											
79											
OUTPUT SHAFT ASS'Y											
80	SHAFT	1	5-29550-S			✓					
81	GEAR	1	5-29550-GE			✓					
82	BEARING	2	190SD30W33 F3				TORR.				
83	SPACER	1	5-29550-SE			✓					
84	END PLATE	1	5-29550-EE								
85	END CAP BOLT	6	3/4-10 X 2" LG.								DRILL HEADS FOR WIRELOCKS
86	KEY	1	5-29550-K (REF.)								
87	KEY	1	5-29550-K (REF.)								
88											
89											

ENGINEERING - RECORD:
 -ITEM NUMBER
 -PART NAME
 -QUAN./ASSY.
 -B.P.# OR DESCRIPTION
 -SOURCE - MFG. OR CUST.
 -ASSY. INFO.
 -TITLE BOX

PURCHASING - RECORD:
 -SOURCE - STR. OR PURCH.
 -RAW MAT'L INFO.
 -VENDOR
 -PURCH. ORDER #

MFG. INFO.:
FOR MAIN ASS'Y
SEE B.P.# 5-29550-A

FORM 1126 REVISED 10-10-72

16050

SHEET 2 OF 2

ITEM NAME	GEARING		
REF. DATA	XITEK 1 CINCINNATI, OHIO		
DRAFT	NO. OF ASSEM	S.O.	
CHECKED ON	DATE	9/11/81	
GEAR REDUCER		NO. 5-29550-02	

BILL OF MATERIAL

ITEM	NAME	QTY	B.P. NUMBER OR DESCRIPTION	DATE COMP.	STORES NO.	SOURCE	STEEL	RAW MATERIAL	VENDOR NAME	P.O. NO.	REMARKS
51	UPPER HOUSING	1	5-29550-UH								
	BRG. BLOCK	2	UH-1								
	BENT PLATE	1	UH-2								
	END PLATE	2	UH-3								
	END BLOCK	2	UH-4								
	COOLING F/W	16	UH-5								
52	LOWER HOUSING	1	5-29550-LH								
	BRG. BLOCK	2	LH-1								
	SIDE PLATE	2	LH-2								
	BENT PLATE	1	LH-3								
	BASE PAD	2	LH-4								
	END BLOCK	2	LH-5								
	COOLING F/W	22	LH-6								
	DRAIN BLOCK	2	LH-7								
53	HSG. MA ASSY	1	5-29550-HM								
54	BOLT HEX HEAD SPLIT LINE	18	7/8-9 x 9 LG				GRADE 8				
55	LOCKWASHER	18	7/8 MED								
56	OIL TROUGHS	1	5-29550-OT								
57	END TROUGH	1	5-29550-ET								
58											
59											
60	STR DOWEL PIN	2	750-0002 x 1/4 LG								

ENGINEERING - RECORD:
 - ITEM NUMBER
 - PART NAME
 - QUAN / ASSY.
 - B.P. # OR DESCRIPTION
 - SOURCE - MFG. OR CUST.
 - ASSY. INFO.
 - TITLE BOX

PURCHASING - RECORD:
 - SOURCE - STR. OR PURCH.
 - RAW MAT'L INFO.
 - VENDOR
 - PURCH. ORDER #

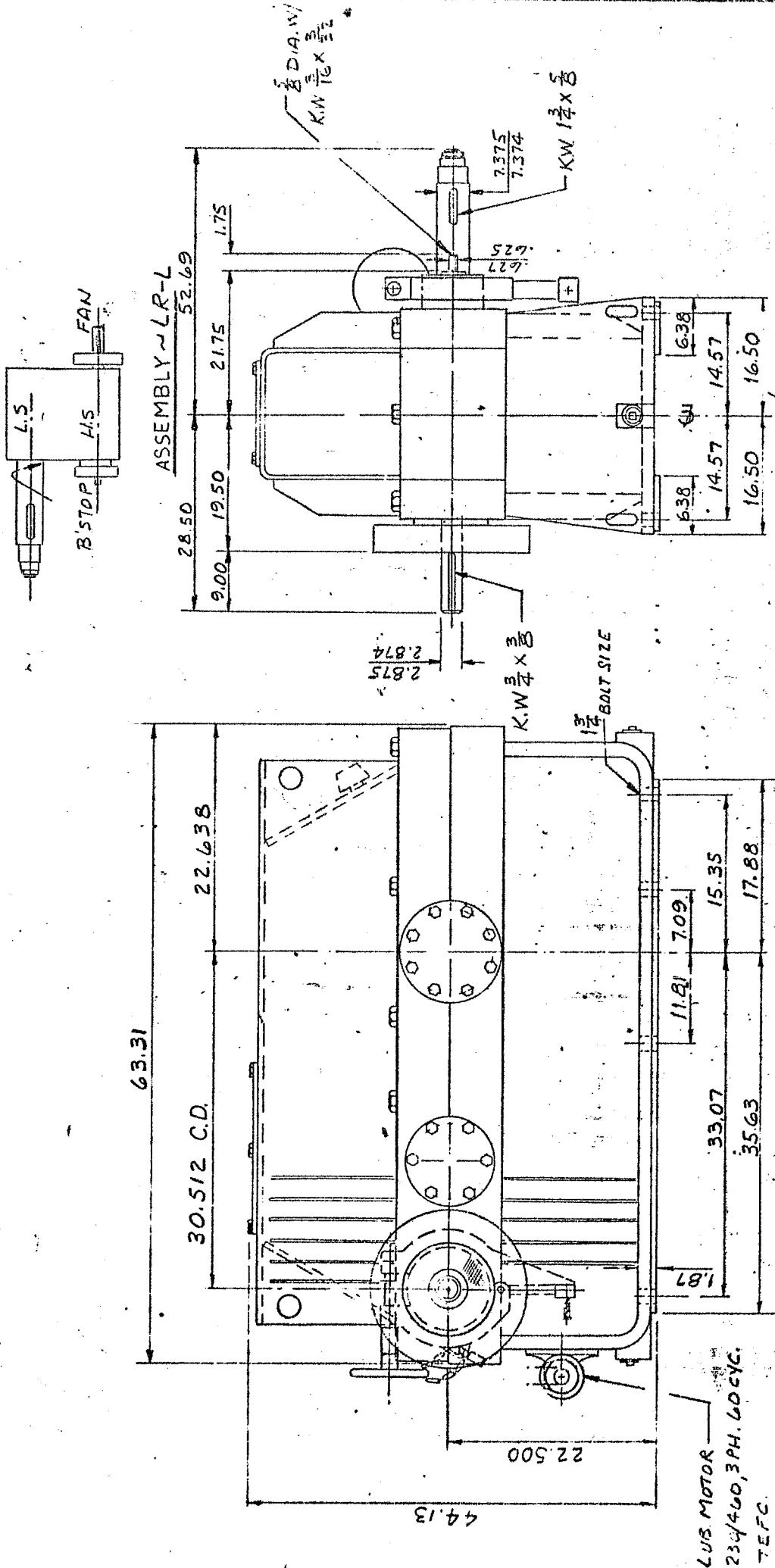
MFG. INFO.:
FOR MAIN ASSY
SEE B.P. # 5-29550-A

FORM 1126 Revised 10-19-72

16060

SHEET 1 OF 1

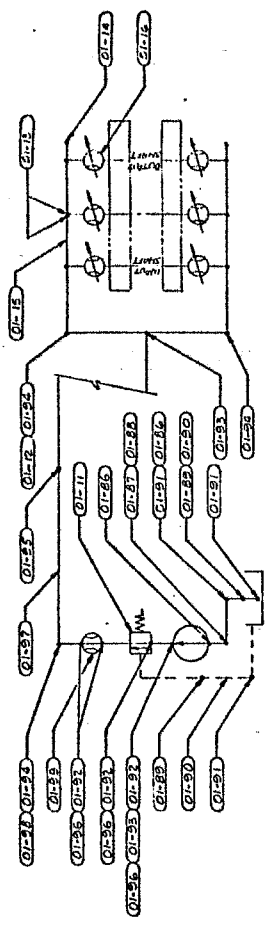
ITEM NAME	HOUSING	
REF.	XEROX 1 CINCINNATI, OHIO	
DATA USED ON	GEAR REDUCER	
DRAFT	NO. OF ASSY	S.O.
CHECKED	NO. 5-29550-03	
DATE	11/11	



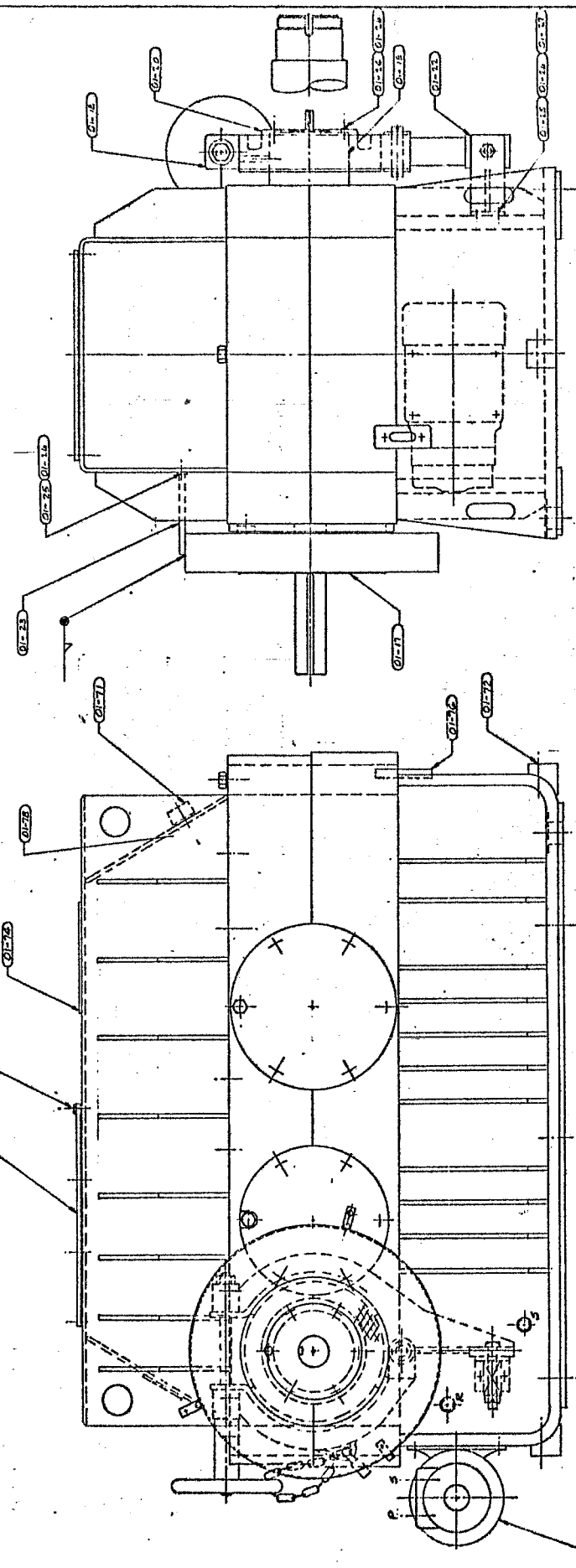
PART NAME: GEAR REDUCER
 REF: Xtek | CINCINNATI, OHIO
 DATA: DRP-1205
 USED: 12/15/2005
 DATE: 12/15/2005
 AMT: 50
 BP: 5-29550-AP

MECHANICAL KW RATING	522	MECHANICAL HP RATING	700
THERMAL KW RATING	524	THERMAL HP RATING	702.5
WEIGHT (KG)	2933	WEIGHT (LBS)	6467
LUBRICANT	AGMA 4EP	EXACT REDUCTION	26/1
CAPACITY	64 US.GAL		

REQUIRED HP: 700
 REQUIRED SERVICE FACTOR: 1
 REQUIRED INPUT RPM: 1750
 REQUIRED REDUCTION: 25/63



LUBRICATION SCHEMATIC



5-29550-A
 COMPLETE ASSEMBLY
 11 3-23-55
 11 3-23-55

SHEET 1 OF 2

REV	DATE	BY	CHKD
1			
2			
3			
4			
5			
6			
7			
8			
9			
10			

